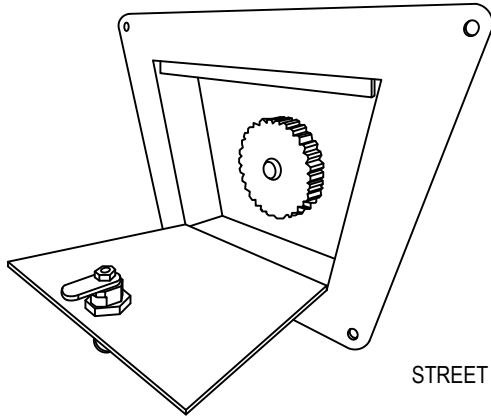




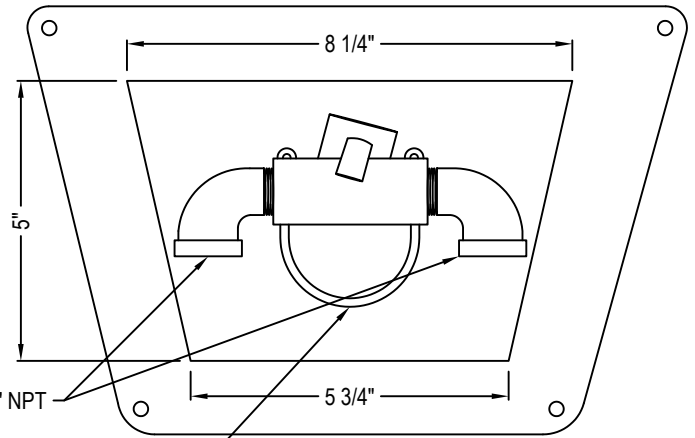
# THE OUTDOOR PLUS

USA MANUFACTURER OF FIRE & WATER FEATURES

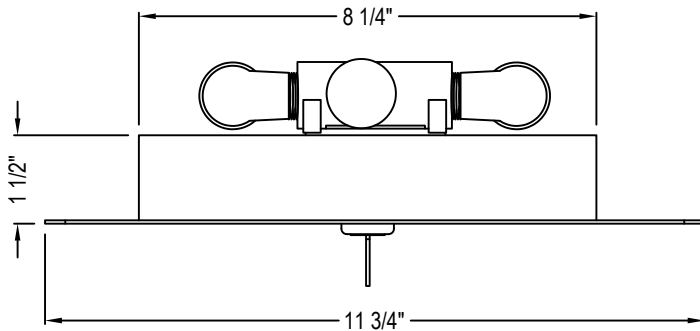
THE OUTDOOR PLUS  
235 E. MAIN ST.  
ONTARIO, CA 91761  
PHONE: (909) 460-5579  
FAX: (909) 460-5530  
www.theoutdoorplus.com



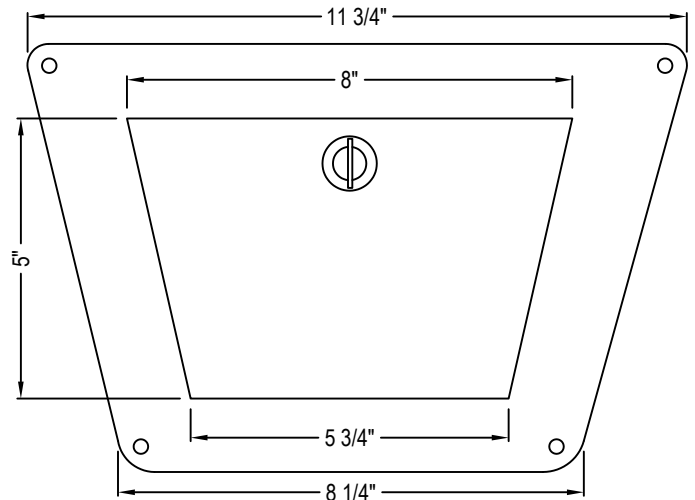
PERSPECTIVE



REAR VIEW



TOP VIEW



FRONT VIEW

## SPECIFICATIONS

**PART NUMBER:** OPT-TBL

**MATERIAL:** STAINLESS STEEL

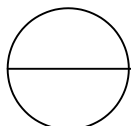
**MAX TEMP:** 125°F

**MAX BTUs:** 100,000

**INLET:** 1/2" NPT

## NOTES:

1. INSTALLATION TO BE COMPLETED IN ACCORDANCE WITH MANUFACTURER'S SPECIFICATIONS.
2. DO NOT SCALE DRAWING.
3. THIS DRAWING IS INTENDED FOR USE BY ARCHITECTS, ENGINEERS, CONTRACTORS, CONSULTANTS AND DESIGN PROFESSIONALS FOR PLANNING PURPOSES ONLY. THIS DRAWING MAY NOT BE USED FOR CONSTRUCTION.
4. ALL INFORMATION CONTAINED HEREIN WAS CURRENT AT THE TIME OF DEVELOPMENT BUT MUST BE REVIEWED AND APPROVED BY THE PRODUCT MANUFACTURER TO BE CONSIDERED ACCURATE.
5. CONTRACTOR'S NOTE: FOR PRODUCT AND COMPANY INFORMATION VISIT [www.CADdetails.com/info](http://www.CADdetails.com/info) AND ENTER REFERENCE NUMBER 5353-004.



## ACCESSORIES & REPLACEMENTS

1 HOUR GAS TIMER & LOCK-BOX