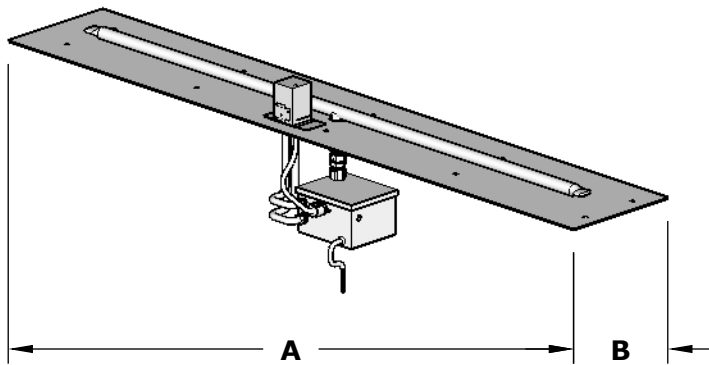
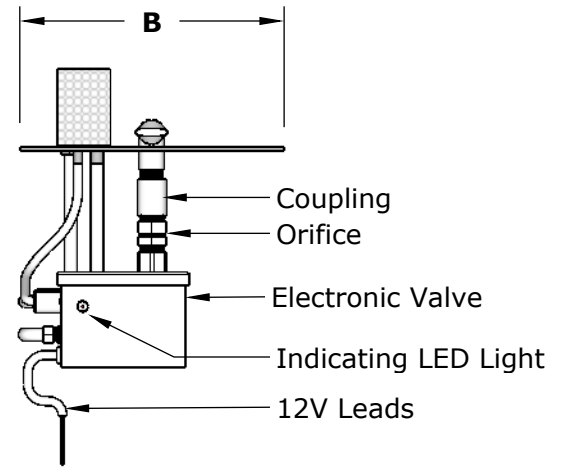


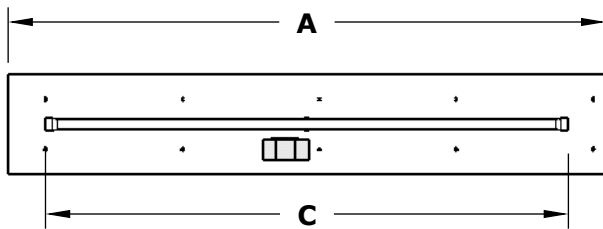
# SS FLAT PAN & SS LINEAR BURNER 12V IGNITION



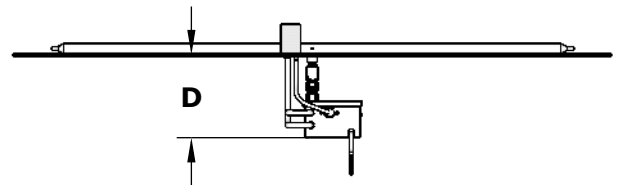
**ISOMETRIC VIEW**



**RIGHT SIDE VIEW**



**TOP VIEW**



**FRONT SIDE VIEW**

| SKU            | A   | B  | C   | D   | BTU    |
|----------------|-----|----|-----|-----|--------|
| OPT-REFS624E12 | 24" | 6" | 18" | 10" | 25,000 |
| OPT-REFS630E12 | 30" | 6" | 24" | 10" | 40,000 |
| OPT-REFS636E12 | 36" | 6" | 30" | 10" | 50,000 |
| OPT-REFS642E12 | 42" | 6" | 36" | 10" | 60,000 |
| OPT-REFS648E12 | 48" | 6" | 42" | 10" | 75,000 |
| OPT-REFS824E12 | 24" | 6" | 18" | 10" | 25,000 |
| OPT-REFS304E12 | 30" | 6" | 24" | 10" | 40,000 |
| OPT-REFS836E12 | 36" | 6" | 30" | 10" | 50,000 |
| OPT-REFS842E12 | 42" | 6" | 36" | 10" | 60,000 |
| OPT-REFS848E12 | 48" | 6" | 42" | 10" | 75,000 |

Pan Material: 304 Stainless Steel  
Burner Material: 304 Stainless Steel  
Ignition Type: 12V Electronic Ignition  
(12V Transformer Included)

**12V ELECTRONIC IGNITION**  
ANSI Z21.97-(2017) / CSA 2.41-(2017)



Includes: Pan, Burner, Electronic Valve, Pilot Igniter. 12V Transformer.