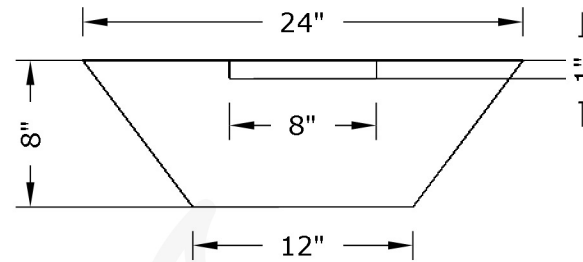
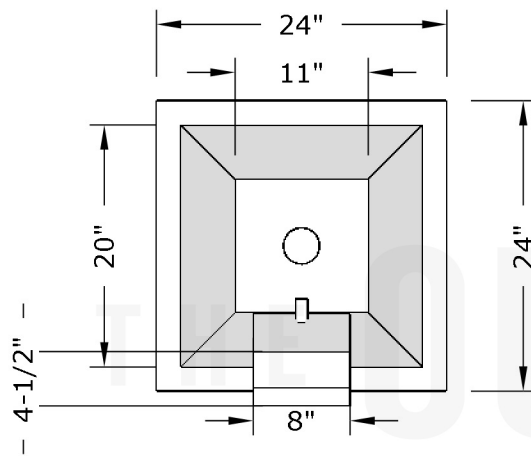


1. 8" Smooth Flow Radius Scupper

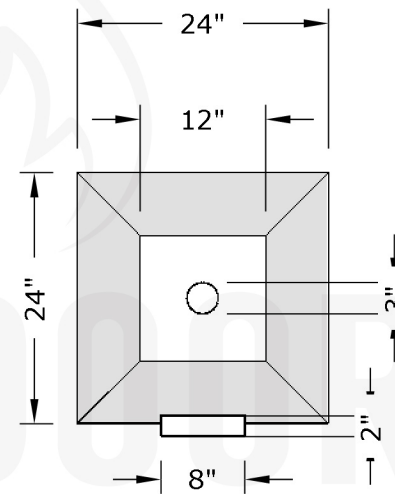


FRONT

Replacement Part Numbers



TOP



BOTTOM



## Maya - 24" Planter & Water Bowl

Page Number	1 of 1
Author: Bryant Uribe	4/13/2018
Approved By: Gabriel Estrada	4/13/2018

Part Number	OPT-24SFWM
Material	GFRC
Finishes	Black, Ash, Gray, Limestone, Chocolate, Brow, Vanilla
Gas Type	N/A
Weight	65 lbs.
BTUs	N/A
Suggested Soil	1 ft3 (One Cubic Foot)
Access Door	N/A

ITEM NO.	REPLACEMENT PART NUMBER	QTY.
1	OPT-SFR8	1

**Proprietary & Confidential:** The information contained in this drawing is the sole property of **The Outdoor Plus**. Any reproduction or as a whole without written permission of **The Outdoor Plus** is prohibited.