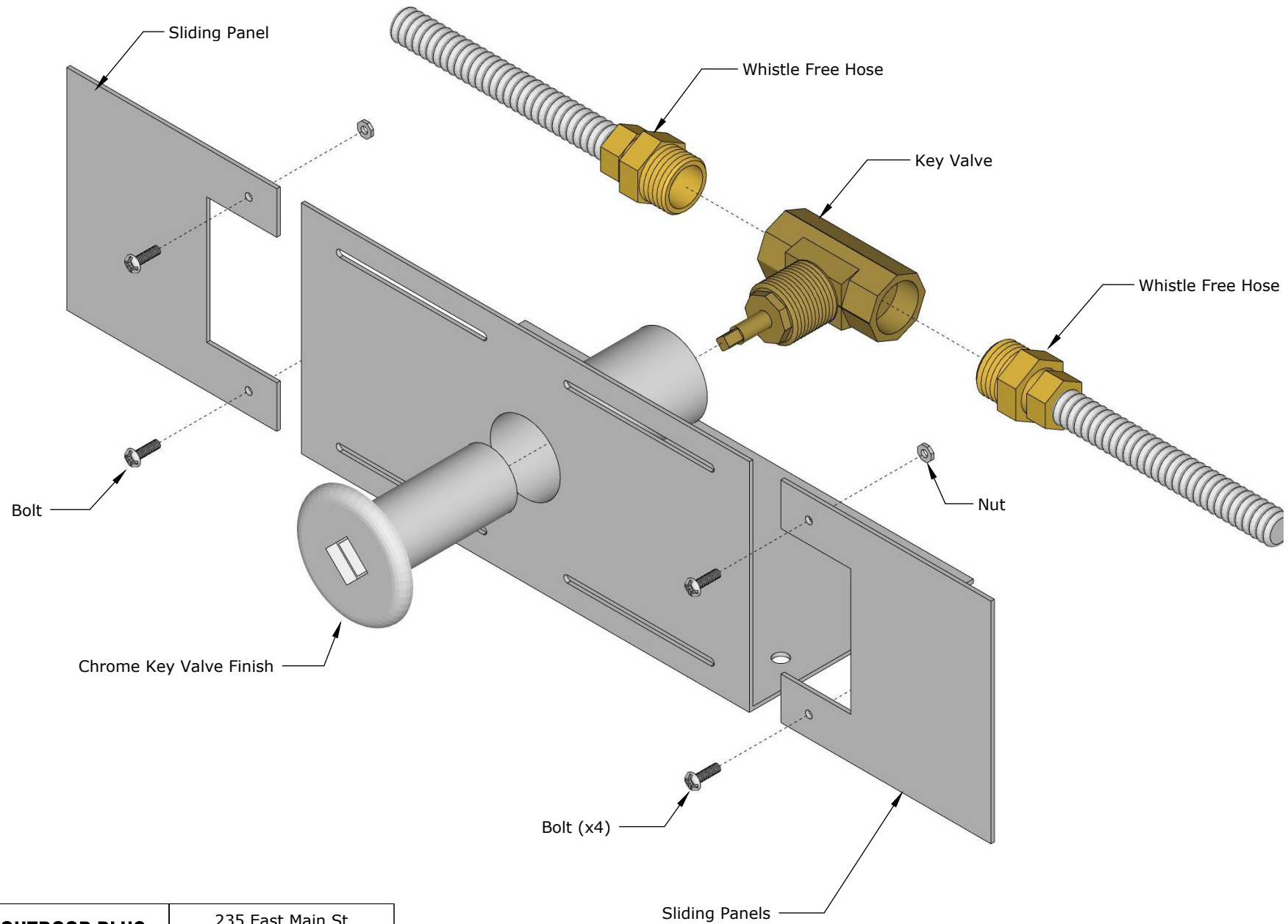


Component Overview



235 East Main St
Ontario CA 91761
Office: (909) 460-5579

